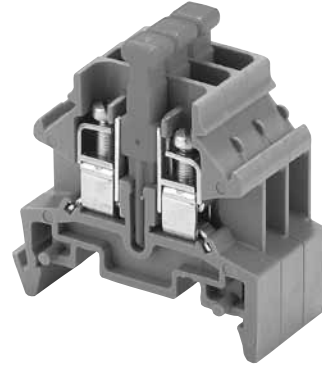


MIKTS4 (Disconnect)

6 mm - 300 Volts AC/DC

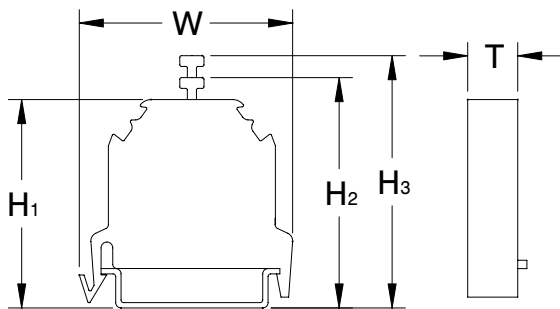
Specifications:

- Insulating Material, Nylon 6/6, Gray
- Wire Range #12-#22 AWG – 20 Amps
- CSA Certified File No. LR700930
- VDE – 16 Amps
- CE
- RoHS Compliant



MIKTS4

Catalog #	Description
MIKTS4	Center Section
MN35-2	DIN Rail symmetrical 35 X 7.5 mm slotted 2 m long / steel zinc-plated
MDSBL (Plug only)	Diode plug - blue with diode 400 Volt, 1 Amp cathode on high voltage side
MDSRT (Plug only)	Diode plug - red with diode 400 Volt, 1 Amp cathode on low voltage side
MPST2	Test Plug- 2.3 mm Ø
MIW4	Insulating end sections for covering and insulating the last terminal in an assembly
MSK35	End bracket used on both ends of the assembly to hold blocks in place



Dimensions:

- H1 = 39 mm (1.535")
- H2 = 46 mm (1.800")
- H3 = 53 mm (2.100")
- W = 42 mm (1.653")
- T = 6 mm (.236")

For electronic drawings or 2D/3D CAD data,
send request to drawings@marathonsp.com