

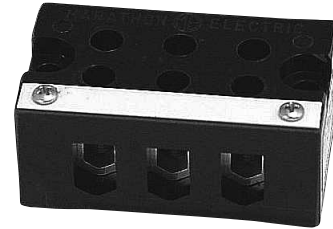
Heavy Duty Terminal Blocks

1103P and 1200 Series - Deadfront Type

600 Volts AC/DC (UL/CSA)
 630 Volts (CE) - 1103P
 800 Volts (CE) - 1200 Series

Specifications:

- Base, General Purpose Phenolic, 150°C
- Connector, Aluminum, Tin Plated
- Screws, Steel, Nickel (Ni) Plated
- Current Rating up to **70 Amps**
- 1103P Wire Range #4 - #14 AWG CU
- 1200 Series Wire Range #4 - #18 AWG CU
- UL Recognized File No. XCFR2.E62806
- CSA Certified File No. LR19766
- **CE**
- RoHS Compliant



1103P

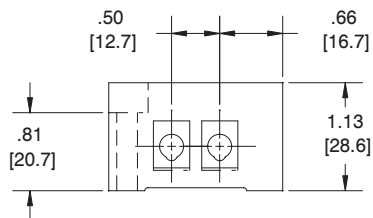
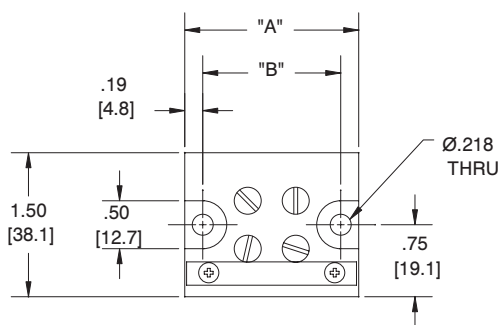


1206

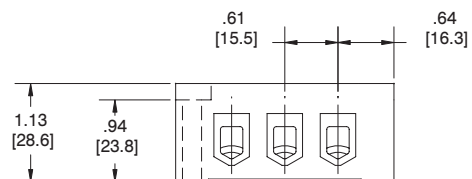
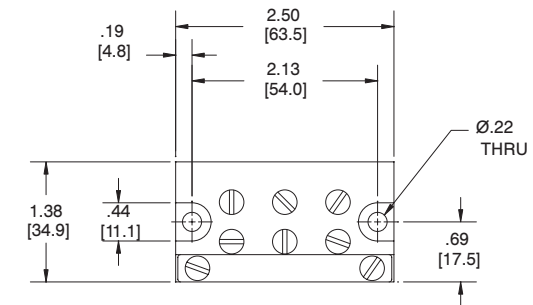
Catalog #	# of Poles	Dimensions	
		A	B
1202	2	1.81	1.44
1204	4	2.81	2.44
1206	6	3.81	3.44

For electronic drawings or 2D/3D CAD data, send request to drawings@marathonsp.com

mm = dim X 25.4



1200 Series



1103P Series