

Product Data Sheet



6G44 SP DIN

7/16" Sectional Terminal Block
DIN Mount
40 Amps, 600 Volts (AC/DC)



27 Circuits Per Foot
Standard Pack Qty is 25

Wire Range:
Copper Wire Only

Cat. No.	Termination Type	Wire Class	Wire Range AWG/kcmil CU Only - Sol/Str	Multiple Wires/Lugs per Terminal	Torque -Assigned-
6G44 SP DIN	Unprepared Bare Wire	B, C G, H, I, K	#12-22	1 to 2 of the same type & size	10 in-lbs
	Prepared (Lugged Wire)	n/a	#10-16		

Electrical Ratings:

- 40A (Based on NEC Table 310-16, 75°C columns)
- 600 Volts AC/DC (UL 1059 Class C, User Group – General Industrial)
- Short Circuit Current Rating: 10,000A (Default)
- Factory and field wiring

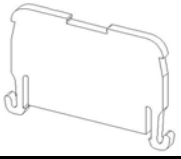

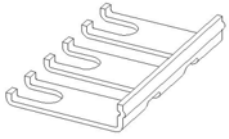
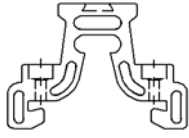

Materials:

- Insulator base: Glass-filled polycarbonate (Gray Thermoplastic)
 - Maximum insulator base temperature: 125°C (257°F)* UL RTI
 - Flammability rating of insulator base: UL 94V-0
- Contact: Brass, tin plated
- Screw, #6-32: Steel, nickel plated

Agency Approvals:

- UL Recognized, UL 1059 Terminal Block Standard, File No. XCFR2.E62806
- CSA Certified, CSA C22.2 No. 158, File No. LR19766
- CE compliant, IEC 60947-7-1
- RoHS Compliant

Accessories:

Catalog #	Description		STD Pack Qty.
6G44 E DIN	End Sections		25
MS 44	7/16 Marker Strip (4' long, white)		5
601 RJS (xx)	Jumper (Various lengths)		N/A
MSK35	End Bracket for Din Rail		25
MN35-2	DIN Rail, 35 x 7.5 mm 2m long, slotted		N/A

