

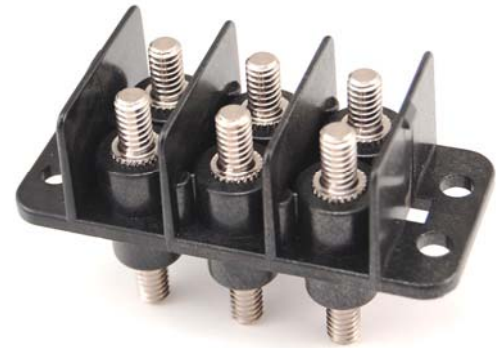
# Product Data Sheet



## ST722E25XX (end mount)

Replace "XX" with 01 through 06 for number of poles

**Studded Power Block  
Feed Thru  
175 Amps, 300 Volts AC/DC**



3-pole shown

### Wire Range:

#2/0 - #8 AWG Copper Stranded Wire

Mounting Screws Included

Accommodates Two Hole Compression Lugs on .625" centers – wires #2 and larger may require narrow lugs.

### 0.73" Centers

### Electrical Ratings:

- 175A (Based on NEC Table 310-16, 75°C columns)
- 300 Volts AC/DC (UL 1059 Class B – Commercial Appliances and C - General Industrial)
- Short Circuit Current Rated for 10,000 Amps.
- Factory and Field Wiring

### Mechanical Ratings:

- Maximum insulator base temperature: 125°C (257°F) UL RTI
- Storage and transportation temperature range: -35°C to 110°C (-31°F to 230°F)
- Flammability rating of insulator base: UL 94 V-0
  - Use outside these ratings needs to be judged in the end-use application.

### Materials:

- Studs: #1/4-20: Brass, Nickel plated
- Insulator base: Glass-filled polycarbonate (Thermoplastic)

### Agency Approvals:

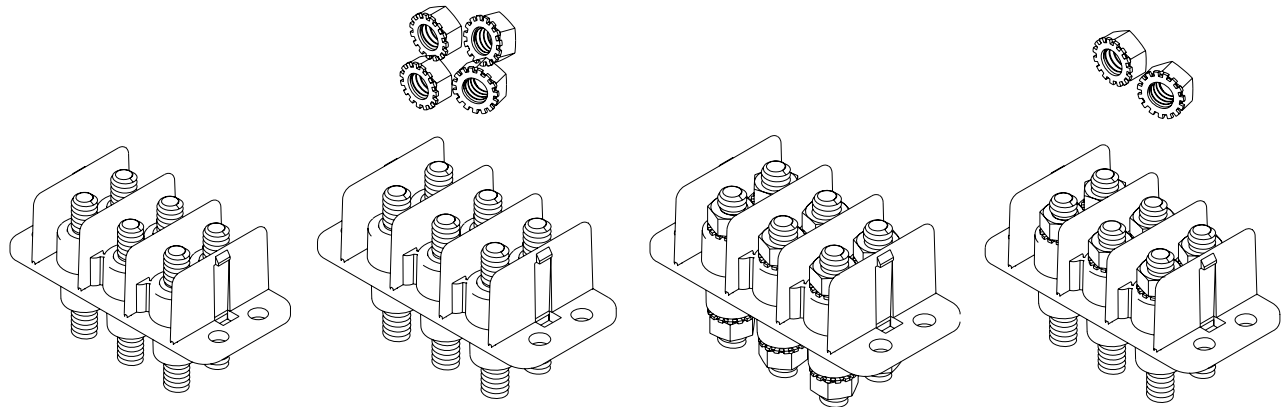
- UL Recognized, UL 1059 Terminal Block Standard, File No. XCFR2.E62806
- CSA Certified, CSA C22.2 No. 158, File No. LR19766

- CE compliant to IEC 60947-7-1
- RoHS Compliant

Application Torque: 50 in-lbs.

- Panel mountable: #10 fastener, torque to 25-30 in. lbs.

### Hardware Options:



**ST722E25XX**  
 1) No Hardware Included  
 2) Mounting Screws packed loose

**ST722E25XXUH**  
 1) (4) Nuts per line packed loose  
 2) Mounting Screws packed loose

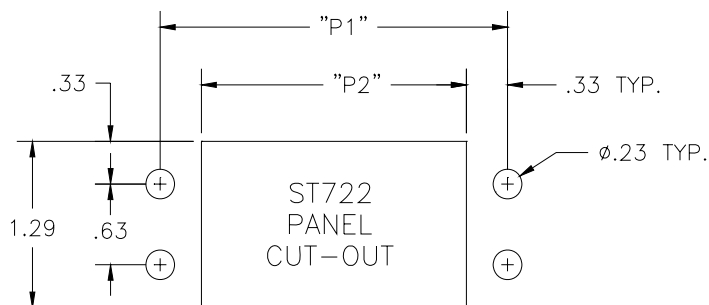
**ST722E25XXAH**  
 1) (4) Nuts per line assembled  
 2) Mounting Screws packed loose

**ST722E25XXDL**  
 1) (2) Nuts per line assembled barrier side  
 2) (2) Nuts per line packed loose bottom side  
 3) Mounting Screws packed loose

### Accessories:

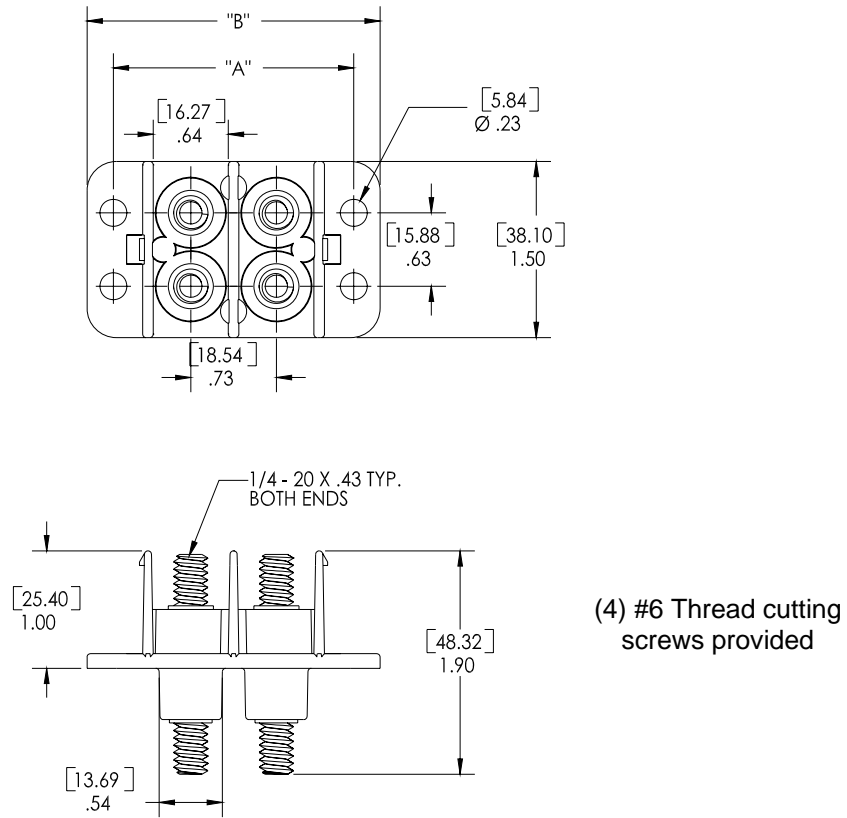
- Cover: order C722XX (XX = line length 1 through 6)

### Mounting Cutout:



LENGTH	"P1"	"P2"
1-LINE	1.32	.66
2-LINE	2.05	1.39
3-LINE	2.78	2.12
4-LINE	3.51	2.85
5-LINE	4.24	3.58
6-LINE	4.97	4.31

Product Dimensions:



Catalog #	# of Poles	Dim A		Dim B	
		Inches	Metric	Inches	Metric
722E	1	1.32	(33.53)	1.77	(44.96)
722E	2	2.05	(52.07)	2.50	(63.50)
722E	3	2.78	(70.61)	3.23	(82.40)
722E	4	3.51	(89.15)	3.96	(100.58)
722E	5	4.24	(107.70)	4.69	(119.13)
722E	6	4.97	(126.24)	5.42	(137.67)

[WWW.MARATHONSP.COM](http://WWW.MARATHONSP.COM)  
1-419-352-8441