

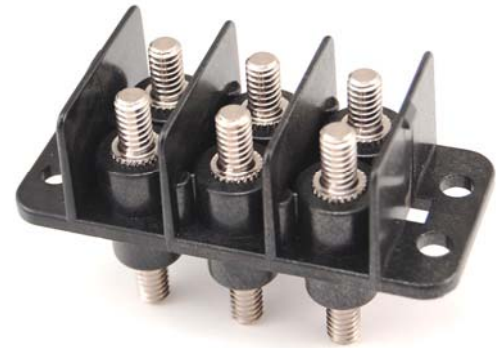
# Product Data Sheet



## ST722EM6XX (end mount)

Replace "XX" with 01 through 06 for number of poles

**Studded Power Block  
Feed Thru  
175 Amps, 300 Volts AC/DC**



3-pole shown

### Wire Range:

#2/0 - #8 AWG Copper Stranded Wire

Mounting Screws Included

Accommodates Two Hole Compression Lugs on .625" centers – wires #2 and larger may require narrow lugs.

### 0.73" Centers

### Electrical Ratings:

- 175A (Based on NEC Table 310-16, 75°C columns)
- 300 Volts AC/DC (UL 1059 Class B – Commercial Appliances and C - General Industrial)
- Short Circuit Current Rated for 10,000 Amps.
- Factory and Field Wiring

### Mechanical Ratings:

- Maximum insulator base temperature: 125°C (257°F) UL RTI
- Storage and transportation temperature range: -35°C to 110°C (-31°F to 230°F)
- Flammability rating of insulator base: UL 94 V-0
  - Use outside these ratings needs to be judged in the end-use application.

### Materials:

- Studs: M6: Brass, Nickel plated
- Insulator base: Glass-filled polycarbonate (Thermoplastic)

### Agency Approvals:

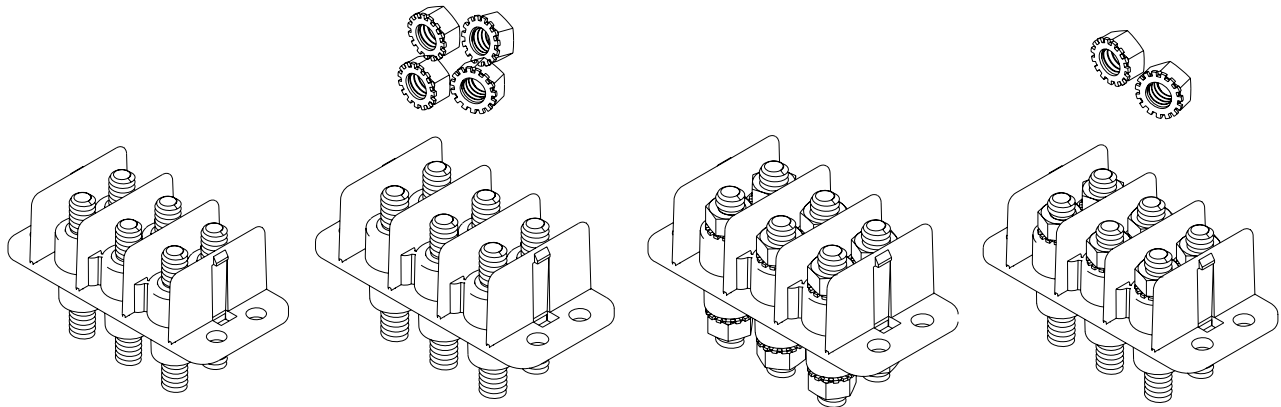
- UL Recognized, UL 1059 Terminal Block Standard, File No. XCFR2.E62806
- CSA Certified, CSA C22.2 No. 158, File No. LR19766

- CE compliant to IEC 60947-7-1
- RoHS Compliant

Application Torque: 50 in-lbs.

- Panel mountable: #10 fastener, torque to 25-30 in. lbs.

### Hardware Options:



**ST722EM6XX**  
 1) No Hardware Included  
 2) Mounting Screws packed loose

**ST722EM6XXUH**  
 1) (4) Nuts per line packed loose  
 2) Mounting Screws packed loose

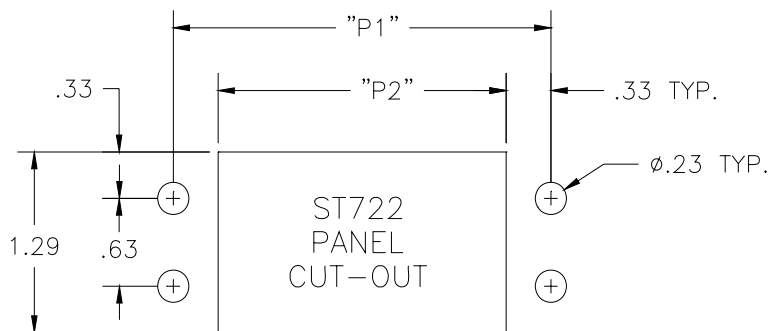
**ST722EM6XXAH**  
 1) (4) Nuts per line assembled  
 2) Mounting Screws packed loose

**ST722EM6XXDL**  
 1) (2) Nuts per line assembled barrier side  
 2) (2) Nuts per line packed loose bottom side  
 3) Mounting Screws packed loose

### Accessories:

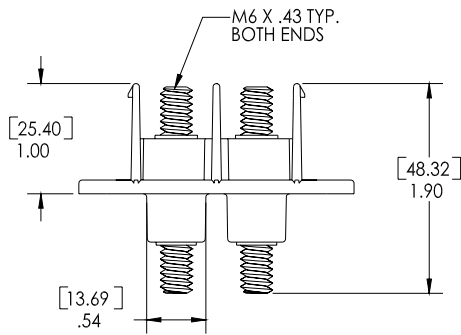
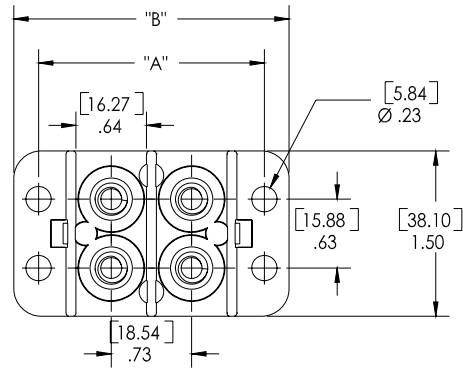
- Cover: order C722XX (XX = line length 1 through 6)

### Mounting Cutout:



| LENGTH | "P1" | "P2" |
|--------|------|------|
| 1-LINE | 1.32 | .66  |
| 2-LINE | 2.05 | 1.39 |
| 3-LINE | 2.78 | 2.12 |
| 4-LINE | 3.51 | 2.85 |
| 5-LINE | 4.24 | 3.58 |
| 6-LINE | 4.97 | 4.31 |

# Product Dimensions:



(4) #6 Thread cutting screws provided

| Catalog # | # of Poles | Dim A  |          | Dim B  |          |
|-----------|------------|--------|----------|--------|----------|
|           |            | Inches | Metric   | Inches | Metric   |
| 722E      | 1          | 1.32   | (33.53)  | 1.77   | (44.96)  |
| 722E      | 2          | 2.05   | (52.07)  | 2.50   | (63.50)  |
| 722E      | 3          | 2.78   | (70.61)  | 3.23   | (82.40)  |
| 722E      | 4          | 3.51   | (89.15)  | 3.96   | (100.58) |
| 722E      | 5          | 4.24   | (107.70) | 4.69   | (119.13) |
| 722E      | 6          | 4.97   | (126.24) | 5.42   | (137.67) |

[WWW.MARATHONSP.COM](http://WWW.MARATHONSP.COM)  
1-419-352-8441