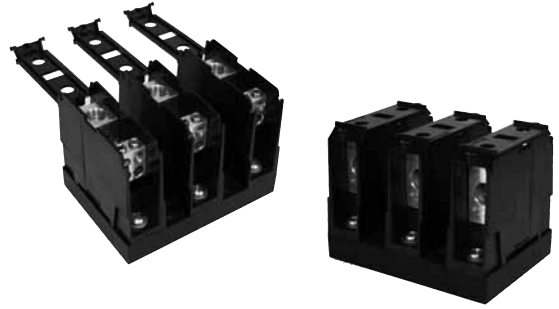


# UL Listed Power Distribution Blocks

The requirements of the 2005 National Electric Code (NEC) and UL508A now require many electrical panels to carry a Short Circuit Current Rating (SCCR). These new Power Distribution Blocks are listed to UL1953. The feeder spacing requirements of UL508A are achieved with these blocks.



## Specifications:

- Connector Housings, Thermoplastic, UL 94 V-0, RTI 125°C
- Insulator Base Plate, Phenolic Laminate, UL 94 V-0, RTI 130°C
- Wire Connectors - Tin Plated Aluminum, Rated for Copper or Aluminum wire (CU & AL)
- Short Circuit Current Rating up to 100kA (100kA SCCR Rating with copper conductors only. Requires specific over-current protection device.)
- Attached hinge cover
- UL 508A Feeder Circuit Terminal Spacing for up to 600 Volts
- Rated up to 335 Amp, 600 Volts
- Line side conductor up to 600 kcmil
- Distribution, up to twelve conductors per pole
- Investigated to UL 1953
- UL Category and File: QPQS.E309401

Listed Power Blocks

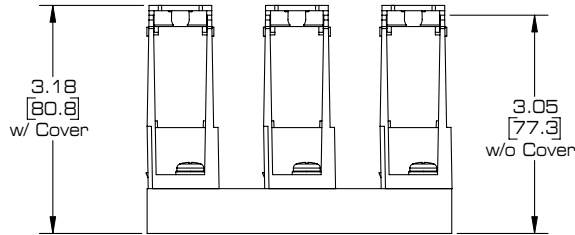
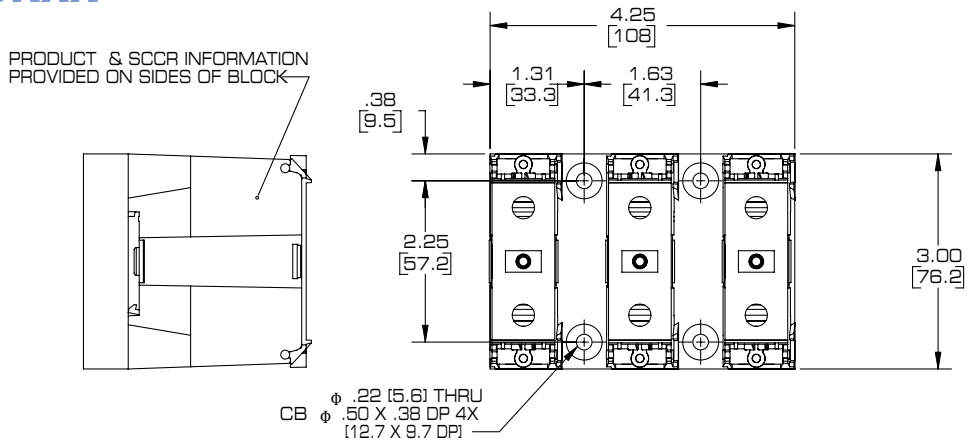
## Short Circuit Ratings (Copper Wire Only)

| Catalog #   | Suitable Conductors<br>kcmil/AWG CU |         | Overcurrent Protection Fuse<br>Required Class/Max Amp Rating |     |     |     |    |    | SCCR RMS<br>Sym A | Volts<br>Max |
|-------------|-------------------------------------|---------|--|-----|-----|-----|----|----|-------------------|--------------|
|             | Line                                | Load    | J  | T   | RK1 | RK5 | G  | CG |                   |              |
| FPB23570 CH | 2/0 - 6                             | 4 - 14  | 200  | 200 | 200 | 100 | 60 | 30 | 100,000           | 600          |
| FPB23572 CH | 2/0 - 6                             | 2/0 - 6 | 200  | 200 | 200 | 100 | 60 | 30 |                   |              |
| FPB23574 CH | 2/0 - 6                             | 2/0 - 6 | 200  | 200 | 200 | 100 | 60 | 30 | 100,000           | 600          |
|             | 8 - 10                              | 8 - 10  | 100  | 100 | 100 | 30  | 60 | 30 |                   |              |
| FPB23580 CH | 2/0 - 6                             | 4 - 14  | 200  | 200 | 200 | 100 | 60 | 30 | 100,000           | 600          |
| FPB33553 CH | 400 - 3/0                           | 2 - 8   | 400  | 400 | 400 | 100 | 60 | 30 | 100,000           | 600          |
|             | 2/0 - 6                             | 2 - 14  | 200  | 200 | 200 | 100 | 60 | 30 |                   |              |
| FPB33588 CH | 600 - 3/0                           | 1/0 - 8 | 600  | 600 | 400 | 200 | 60 | 30 | 100,000           | 600          |
|             | 2/0 - 2                             | 2 - 14  | 200  | 200 | 200 | 100 | 60 | 30 |                   |              |
| FPB33595 CH | 600 - 3/0                           | 4 - 8   | 600  | 600 | 400 | 100 | 60 | 30 | 100,000           | 600          |
|             | 2/0 - 2                             | 4 - 12  | 200  | 200 | 200 | 100 | 60 | 30 |                   |              |

| Catalog #   | Wire Range AWG/kcmil<br>Line Load |               | Current Amps<br>CU AL |     | TORQUE RATINGS          |                   |                         |                   |
|-------------|-----------------------------------|---------------|-----------------------|-----|-------------------------|-------------------|-------------------------|-------------------|
|             |                                   |               |                       |     | Line                    |                   | Load                    |                   |
|             |                                   |               |                       |     | Wire Range<br>AWG/kcmil | Torque<br>in. lb. | Wire Range<br>AWG/kcmil | Torque<br>in. lb. |
| FPB23570 CH | 2/0 - 14                          | (4) 4 - 14    | 175                   | 135 | 2/0 - 6                 | 120               | 4 - 14                  | 35                |
|             |                                   |               |                       |     | 8                       | 40                |                         |                   |
|             |                                   |               |                       |     | 10 - 14                 | 35                |                         |                   |
| FPB23572 CH | 2/0 - 14                          | 2/0 - 14      | 175                   | 135 | 2/0 - 6                 | 120               | 4 - 14                  | 35                |
|             |                                   |               |                       |     | 6                       | 40                |                         |                   |
|             |                                   |               |                       |     | 10 - 14                 | 35                |                         |                   |
| FPB23574 CH | 2/0 - 14                          | 1/4 - 20 stud | 175                   | 135 | 2/0 - 6                 | 120               | 1/4 - 20 stud           | 61                |
|             |                                   |               |                       |     | 8                       | 40                |                         |                   |
|             |                                   |               |                       |     | 10 - 14                 | 35                |                         |                   |
| FPB23580 CH | 2/0 - 14                          | (6) 4 - 14    | 175                   | 135 | 2/0 - 6                 | 120               | 4 - 14                  | 35                |
|             |                                   |               |                       |     | 8                       | 40                |                         |                   |
|             |                                   |               |                       |     | 10 - 14                 | 35                |                         |                   |
| FPB33553 CH | 400 - 6                           | (6) 2 - 14    | 335                   | 270 | 400 - 6                 | 275               | 2 - 3                   | 50                |
|             |                                   |               |                       |     |                         |                   | 4 - 6                   | 45                |
|             |                                   |               |                       |     |                         |                   | 8                       | 40                |
|             |                                   |               |                       |     |                         |                   | 10 - 14                 | 35                |
| FPB33588 CH | 600 - 2                           | (3) 1/0 - 14  | 335                   | 335 | 600 - 2                 | 375               | 1/0 - 1                 | 120               |
|             |                                   | (6) 2 - 14    |                       |     |                         |                   | 2 - 6                   | 60                |
|             |                                   |               |                       |     |                         |                   | 8                       | 35                |
|             |                                   |               |                       |     |                         |                   | 10 - 14                 | 35                |
| FPB33595 CH | 600 - 2                           | (12) 4 - 14   | 335                   | 335 | 600 - 2                 | 375               | 4 - 8                   | 35                |
|             |                                   |               |                       |     |                         |                   | 10 - 14                 | 35                |

See page 42 for dimensional information

## FPB23XXX



## FPB33XXX

